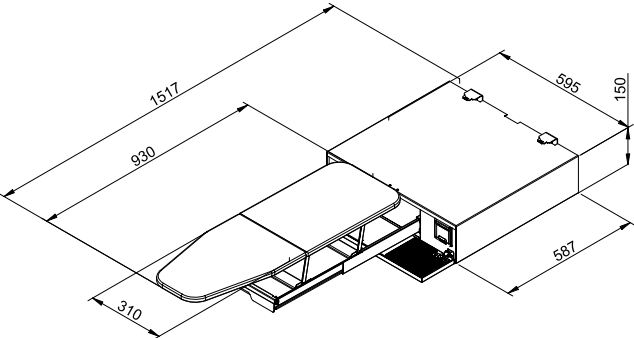
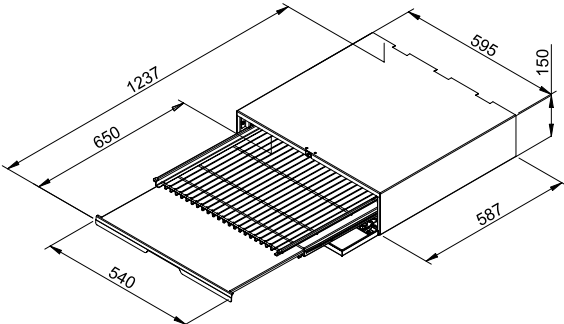


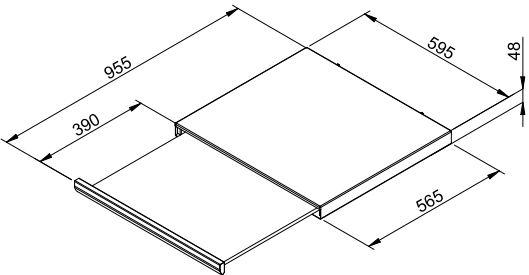
# Installationsritningar



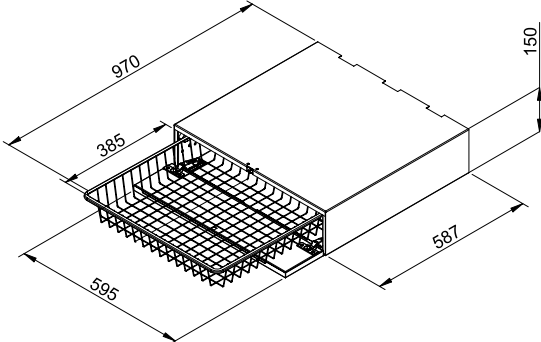
H1115 / H1215



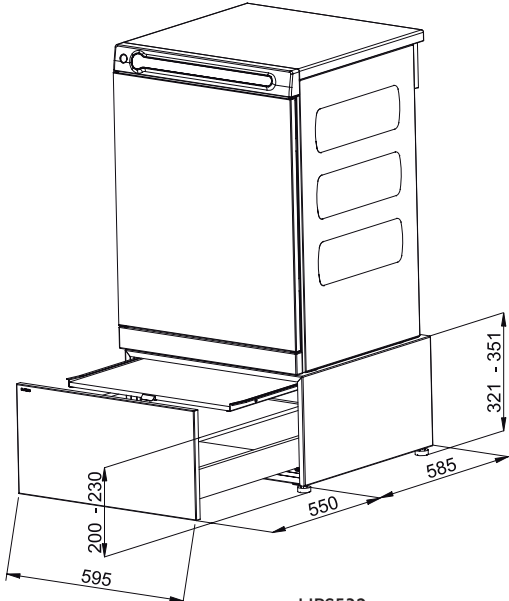
HDBS115 / HDBS215



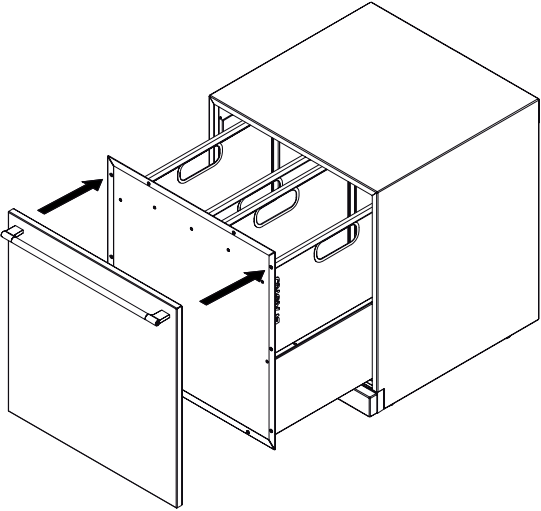
HSS105 / HSS205



HB115 / HB215



HPS532



HSO570

